

# Mira Form

## Mixer Showers



SUITABLE FOR ALL SYSTEMS



5 YEAR WARRANTY

For new and retrofit installations. Mira Form is designed to replace existing mixer shower installations from 110-155mm pipe centres.

### Product Information

Description	Colour	Product No.
Mira Form Single Outlet	Chrome	31982W-CP
Mira Form Dual Outlet	Chrome	31983W-CP

### Features & Benefits

#### Temperature control

Thermostatic temperature stability

Maximum temperature setting for increased safety

#### Easy to fit and maintain

Multi-Fit fits over 110-155mm pipe centres

Suitable for replacement of a previous mixer valve using existing olives, compression nuts and pipe concealing plates

Suitable for rear fed 15mm compression connections (Not suitable for 3/4" Bar valve replacement)

Valve shroud design covers all previous fixing holes and water entry points

Single Outlet includes generous 660mm adjustable riser rail, makes use of existing fixing holes when replacing other showers.

Easily upgrade to dual outlet, with telescopic riser rail with 250mm height adjustment

#### Easy to service

Large, long life-filters and replaceable cartridge

#### For your customer

One control for on/off and temperature

4 spray, 11cm showerhead with push button mode change and rub clean rubber nozzles

1.25m anti-twist, easy clean hose

Swivel action deluge arm for perfect deluge positioning when in use



To download other resources, and for more information and advice on our products just visit:  
[www.mirashowers.co.uk](http://www.mirashowers.co.uk)



# Product Specification

## Tech Details

### Temperature Control

Control type: Thermostatic

### Installation

Water entry points: Rear

Inlet connections: 15mm compression

Outlet connections: 1/2" BSP male flat face

Reversed inlets supported: Yes. Remove valve body from manifold, rotate and refit.

### Supply Conditions (hot and cold)

Cold water range: 5 - 25 °C

Hot water range: 50 - 85 °C (operating; 60 - 65 °C recommended)

Minimum maintained pressure: 0.1 bar (1 metre head)

Maximum maintained pressure: 5 bar (50 metre head)

Maximum static pressure: 10 bar (100 metre head)

### Performance

Flow rate at handset: 3 L/min at 0.1 bar, 7.7L /min at 0.5 bar

Supplied with 9 L/min flow regulators

Temperature stability: +/- 2 °C

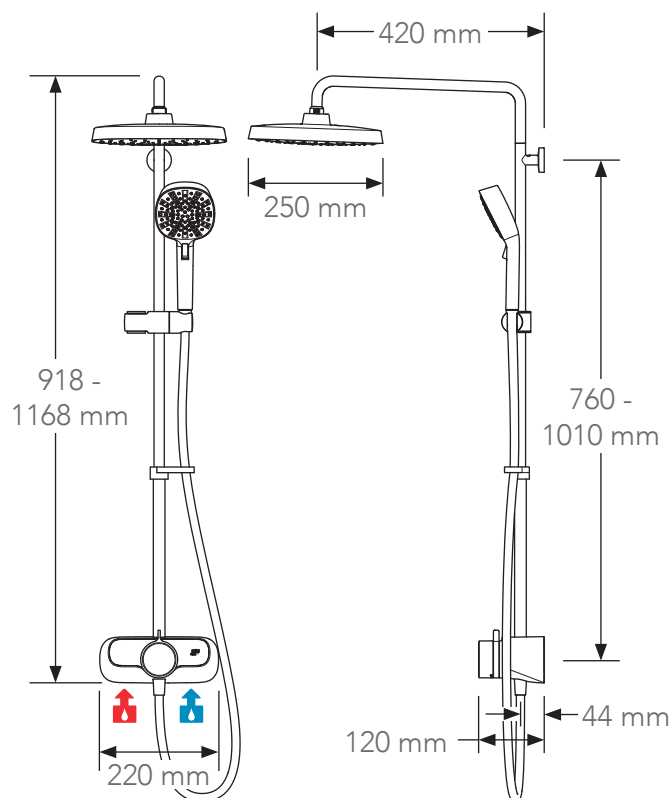
### Safety Features

Automatic shutdown: Within 2 seconds

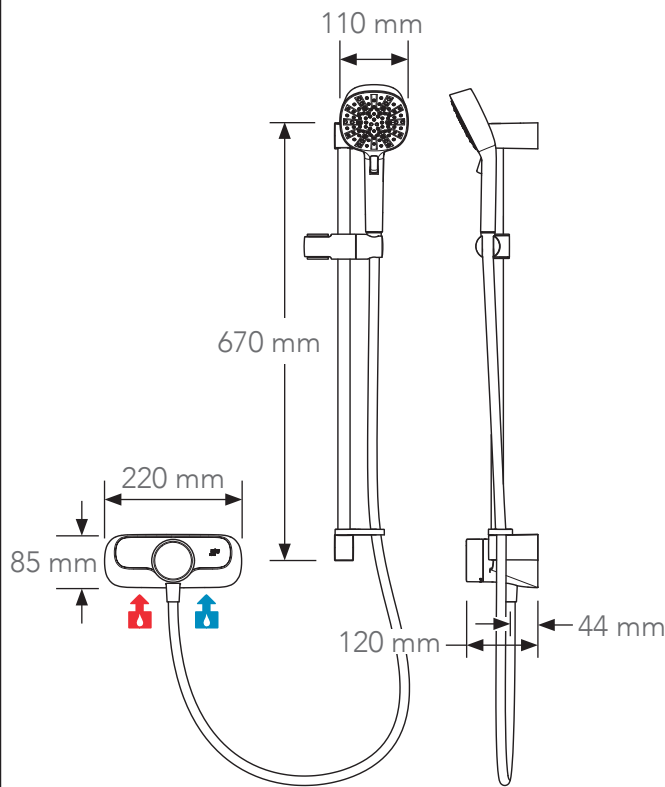
Factory set to safe maximum temperature 39 °C at override stop, 46 °C if override button pressed

Adjustable maximum temperature for on site conditions by removing the temperature peg

## Dimensions



Mira Form Dual Outlet



Mira Form Single Outlet

To download other resources, and for more information and advice on our products just visit:  
[www.mirashowers.co.uk](http://www.mirashowers.co.uk)

